

DH-HAC-HDW1000M

1Megapixel 720P Water-proof IR HDCVI Mini Dome Camera



Features

- 1Megapixel CMOS
- 25/30fps@720P
- High speed, long distance real-time transmission
- Day/Night(ICR), AWB, AGC, BLC
- 3.6mm fixed lens
- Max. IR LEDs length 20m, Smart IR
- IP67, DC12V

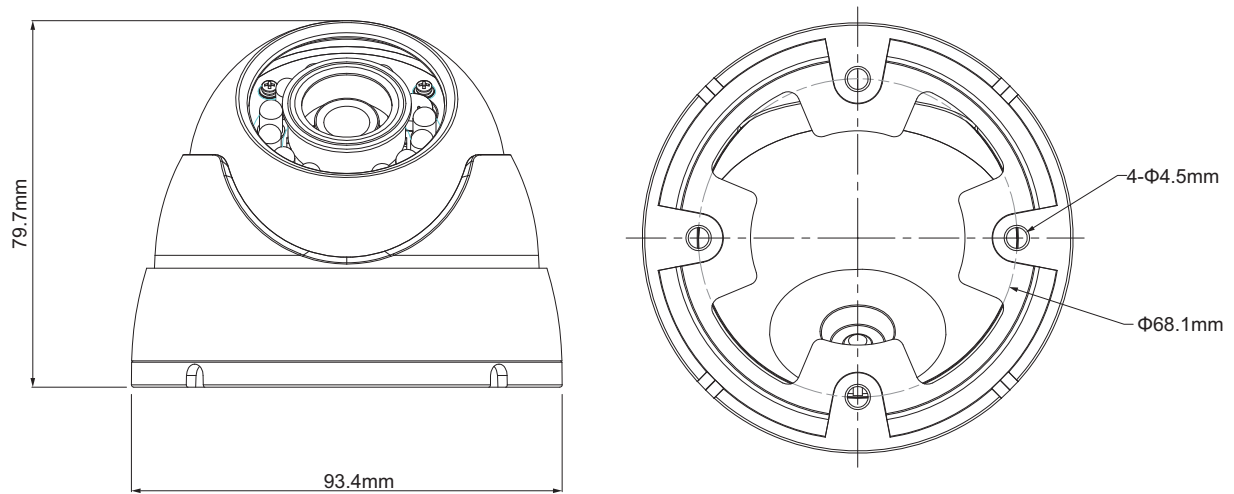
DH-HAC-HDW1000M

Technical Specifications

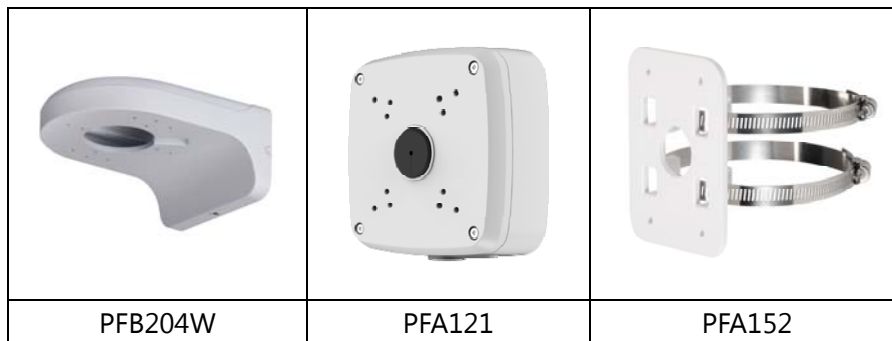
Model	DH-HAC-HDW1000MP	DH-HAC-HDW1000MN
Camera		
Image Sensor	1Megapixel CMOS	
Effective Pixels	1280(H)×720(V)	
Electronic Shutter	1/50s~1/100,000s	1/60s~1/100,000s
Video Frame Rate	25fps@720P	30fps@720P
Synchronization	Internal	
Min. Illumination	0.01Lux@F1.2(AGC ON), 0Lux IR on	
Video Output	1-channel BNC HDCVI high definition video output	
Camera Features		
Max. IR LEDs Length	20m, Smart IR	
Day/Night	Auto(ICR) / Color / B/W	
Noise Reduction	2D	
Lens		
Focal Length	3.6mm fixed lens	
Angle of View	H: 59°	
Mount Type	M12	
General		
Power Supply	DC12V±20%	
Power Consumption	Max 2.5W	
Working Environment	-30°C~+60°C / Less than 95%RH (no condensation)	
Transmission Distance	Over 800m via 75-3 coaxial cable	
Ingress Protection	IP67	
Dimensions	Φ93.4mm×79.7mm	
Weight	0.35kg	
Material	Metal	

DH-HAC-HDW1000M

Dimensions (mm)



Accessories (optional)



Dahua Technology Co., Ltd.

1187 BinAn Road, Binjiang District, Hangzhou, China

Tel: +86-571-87688883

Fax: +86-571-87688815

Email: overseas@dahuatech.com

www.dahuasecurity.com

*Design and specifications are subject to change without notice.

© 2013 Dahua Technology