

# SRM-872



## 8CH Mobile Network Video Recorder

SRM-872

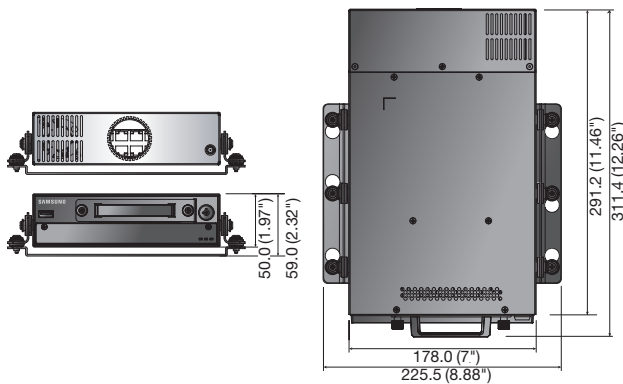


### Key Features

- Up to 8CH 3MP supported
- 64Mbps network camera recording
- Plug & Play by 8 PoE ports
- 1 Hot swap HDD (2.5")
- HDMI/VGA local monitor
- GPS supported
- Standards approval for transportation (Railway, Bus)

### Dimensions

Unit : mm (inch)



### Accessories



		SRM-872
<b>DISPLAY</b>		
N/W Camera	Inputs	Up to 8CH (PoE)
	Resolution	CIF, VGA, 4CIF, 1.3M, 2M, 3M
	Protocols	Samsung, ONVIF
Live	Local Display	HDMI / VGA
	Multi Screen Display	1 / 4 / 9 / Sequence, 8x D-zoom
<b>PERFORMANCE</b>		
Operating System	Embedded	Linux
	Compression	H.264, MJPEG
Recording	Recording Bit Rate	64Mbps
	Resolution	CIF ~ 3M
	Mode	Manual, Schedule (Continuous / Event), Event (Pre / Post)
	Event Trigger	Alarm input (8), Video loss, IP camera event (Sensor, MD, Video analytics)
	Event Action	Alarm out, e-mail
Search & Playback	Playback Bandwidth	64Mbps (8CH simultaneously)
	Search Mode	Date & Time (Calendar) / Event log list
	Simultaneous Playback	8CH@1280 x 720 (1M) / 4CH@1920 x 1080 (2M) 4CH 80fps@2048 x 1536 (3M) / 1CH 60fps@1920 x 1080 (2M)
	Resolution	CIF ~ 3M
Storage	Playback Function	Fast forward / backward, Move one step up / down
	Built-in HDD	2.5" HDD 1ea (SSD Compatible)
	Max. Internal HDD	1ea, Max. 1TB (Hot swap)
Back up	Flash Memory	micro SD 1ea, Max. 32GB
	File back up (Via Web)	[GUI] : BU / Exe, [Network] : JPEG / AVI
Sensor	Function	Single channel play, Date-time / Title display
	I/O	8 / 4 (NO / NC selectable)
Audio	Inputs	8CH (Network)
	Compression	G.711, G.726
	Audio Communication	2-way
<b>NETWORK</b>		
Interface		RJ-45 Gigabit Ethernet 12ea (Total)
		IP CAM data in / Power out : 8ea, Control boc) : 1ea
		Network : 1ea, IO box 1 : 1ea, IO box 2 : 1ea
Protocol Support		TCP/IP, DHCP, PPPoE, SMTP, NTP, HTTP, DDNS, RTP, RTSP
DDNS		Samsung iPOLiS DDNS
Network	Transmission Bandwidth	Max. 64Mbps
Max. Remote Users		Search 3 / Live unicast 10 / Live multicast 20
IP		IPv4 / IPv6
Security		Password, Watermark
Language		English, French, German, Spanish, Italian, Korean, Russian, Swedish, Danish, Portuguese, Czech, Polish, Turkish, Rumanian, Serbian, Dutch, Croatian, Hungarian, Greek, Finnish, Norwegian
OS		Window : XP SP2 or above, Vista, 7, 8 / Mac OS : OSX 10.4.8 or above
Web Browser		IE 7.x ~ IE 9.x, IE 10
Viewer Software	Type	Web Viewer, SmarViewer auto, iPOLiS auto
	CMS Support	SDK
Smart Phone	OS	Android, iOS
	Protocol Support	RTP, RTSP, HTTP, CGI
<b>FUNCTIONS</b>		
Power Management	Shutdown Delay	1min. ~ 30min. (User selectable)
<b>INDICATOR / INTERFACE</b>		
Front	LED Indicator	Power 1, Error 1, Record 1
	HDMI / VGA	1ea
	Audio	Out 2ea (Total), Main unit : Phone jack 1ea, Control box : RCA 1ea
Connections	Ethernet	RJ-45 Gigabit Ethernet 12ea (Total) Network : 1ea, Control box : 2ea, I/O box : 1ea, PoE : 8ea
	Alarm	In / Out - 8ea (Terminal block, NO / NC selectable)
	USB	Front 3ea
	GPS	MCX 1ea
	Power Cord	Square 4pin connector 1ea
<b>SYSTEM</b>		
Log	Log List	Max. 20000 (System log, Event log, Back up log each)
<b>GENERAL</b>		
Electrical	Input Voltage	12 ~ 24V DC
	Power Consumption	Total : max. 89W, Main unit : max. 25W Camera : Max. 64W (Max. 8W per channel, IEEE 802.3af class 2)
Environmental	Operating Temperature	-25°C ~ +50°C (-13°F ~ +122°F)
	Operating Humidity	20% ~ 85% RH
Mechanical	Dimensions (WxHxD)	Main unit : 225.5 x 59.0 x 311.4mm (8.88" x 2.32" x 12.26") (1 DIN, Without bracket) Control box : 121.0 x 32.0 x 75.0mm (4.76" x 1.26" x 2.95") I/O box : 155.0 x 44.0 x 70.0mm (6.1" x 1.73" x 2.76")
	Weight	Main unit : 2.16Kg (4.76 lb) (Without HDD) Control box : 0.18Kg (0.4 lb), I/O box : 0.35Kg (0.77 lb)
Approvals	EMC / Safety	CE, FCC (Class A), cUL, e-Mark
	EMC (Railway)	EN50121-3-2
	Shock / Vibration (Railway)	EN 61373
	Safety (Railway)	EN 50155
	EMC (Railway)	EN 50121-4
	Shock (Functional Test)	MIL STD-810F method 516.5 procedure I
Vibration	MIL STD-810F method 514.5	

\* The latest product information / specification can be found at [www.samsungsecurity.com](http://www.samsungsecurity.com)