

SNV-3082

4CIF WDR Vandal-Resistant Network Dome Camera

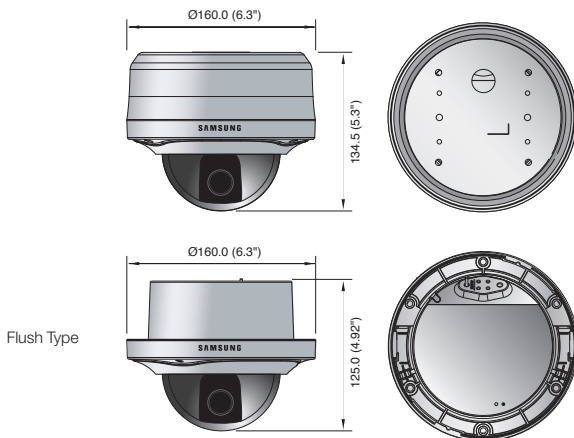


Key Features

- Max. 30(25)fps at 4CIF resolution
- 2.8 ~ 11mm (3.9x) varifocal lens
- H.264, MPEG-4, MJPEG multiple codec
- PoE, SD memory, IP66

Dimensions

Unit : mm (inch)



Accessories (Optional)



SBP-300WM1 SBP-300WM SBP-300CM SBP-300HM3 SBP-300LM SBP-300PM SBP-300KM

Technical Specifications

	SNV-3082N	SNV-3082P
VIDEO		
Imaging Device	1/3" Super HAD PS CCD	
Total Pixels	811(H) x 508(V)	795(H) x 596(V)
Effective Pixels	768(H) x 494(V)	752(H) x 582(V)
Scanning System	Progressive (If WDR on, Interlaced scan)	
Frequency	H : 15.734KHz / V : 59.94Hz	H : 15.625KHz / V : 50Hz
Horizontal Resolution	Color : 600TV lines	
Min. Illumination	Color : 0.4Lux (F1.2, 50IRE), 0.001Lux (Sens-up 512x) B/W : 0.04Lux (F1.2, 50IRE), 0.0001Lux (Sens-up 512x)	
S / N Ratio	52dB	
Video Output	CVBS : 1.0Vp-p / 75Ω composite	
LENS		
Focal Length (Zoom Ratio)	2.8 ~ 11mm (3.9x) varifocal	
Max. Aperture Ratio	F1.2	
Angular Field of View	H : 94.6°(Wide) ~ 28.8°(Tele), V : 68.4°(Wide) ~ 21.6°(Tele)	
Lens Type	DC auto iris	
Mount Type	Board-in type	
PAN / TILT / ROTATE		
Pan Range	0° ~ 355°	
Tilt Range	0° ~ 90°	
Rotate Range	0° ~ 355°	
OPERATIONAL		
Camera Title	Off / On (Displayed up to 15 characters)	
Day & Night	Auto (ICR) / Color / B/W / External B/W	
Backlight Compensation	Off / BLC / WDR	
Wide Dynamic Range	128x, 52dB	160x, 52dB
Contrast Enhancement	SSDR (Samsung Super Dynamic Range) (Off / On)	
Digital Noise Reduction	Motion adaptive 2D+3D noise filter (Off / Low / Middle / High / User)	
Digital Image Stabilization	Off / On	
Motion Detection	Off / On (4 programmable zones)	
Privacy Masking	Off / On (12 polygonal programmable zones, 4 point polygonal method)	
Sens-up (Frame Integration)	Off / Auto (2x ~ 512x)	
Gain Control	AGC (Low / Middle / High)	
White Balance	ATW1 / ATW2 / AWC / 3200K / 5600K	
Electronic Shutter Speed	Off / Auto (1/100 ~ 1/10Ksec)	Off / Auto (1/120 ~ 1/10Ksec)
Digital Zoom	16x	
Flip / Mirror	Off / On	
Profile	Standard / ITS / Backlight / Day & Night / Gaming / Custom	
Intelligent Video Analytics	Tampering	
PIP	Off / On	
Alarm I/O	Input 1ea / Output 1ea (Relay)	
NETWORK		
Ethernet	RJ-45 (10/100BASE-T)	
Video Compression Format	H.264, MPEG-4, MJPEG	
Resolution	704 x 480, 640 x 480, 352 x 240	704 x 576, 640 x 480, 352 x 288
Max. Framerate	30fps	25fps
Video Quality Adjustment	H.264, MPEG-4 : Compression level, Target bitrate level control MJPEG : Quality level control	
Bitrate Control Method	H.264, MPEG-4 : CBR or CVBR, MJPEG : CVBR	
Streaming Capability	Multiple streaming (Up to 10 profiles)	
Audio I/O	Mic / Line in, Line out	
Audio Compression Format	G.711 u-law	
Audio Communication	2-Way	
IP	IPv4, IPv6	
Protocol	TCP/IP, UDP/IP, RTP(UDP), RTP(TCP), RTSP, NTP, HTTP, HTTPS, SSL, DHCP, PPPoE, FTP, SMTP, ICMP, IGMP, SNMPv1/v2c/v3(MIB-2), ARP, DNS, DDNS, QOS, ONVIF	
Security	HTTPS(SSL) login authentication, Digest login authentication, IP address filtering, User access log, 802.1x authentication	
Streaming Method	Unicast / Multicast	
Max. User Access	10 users at unicast mode	
Memory Slot	SD/SDHC memory slot	
ONVIF Conformance	Yes (1.02)	
Webpage Language	English, French, German, Spanish, Italian, Chinese, Korean, Russian, Japanese, Swedish, Danish, Portuguese, Turkish, Polish, Czech, Rumanian, Serbian, Dutch, Croatian, Hungarian, Greek	
Web Viewer	Supported OS : Windows XP / VISTA / 7, MAC OS Supported Browser : Internet Explorer 7.0 or Higher, Firefox, Google Chrome, Apple Safari	
Central Management Software	NET-i viewer	
ENVIRONMENTAL		
Operating Temperature / Humidity	-40°C ~ +50°C (-40°F ~ +122°F) / Less than 90% RH	
Ingress Protection	IP66 Grade (Waterproof)	
ELECTRICAL		
Input Voltage / Current	12V DC, 24V AC, PoE (IEEE802.3af)	
Power Consumption	Max. 8W (Heater off), Max. 11W (Heater on)	
MECHANICAL		
Color / Material	Ivory / Aluminum	
Dimensions (WxH)	Ø160.0 x 134.5mm (Ø6.3" x 5.3")	
Weight	1.28Kg (2.82 lb) (TBD)	